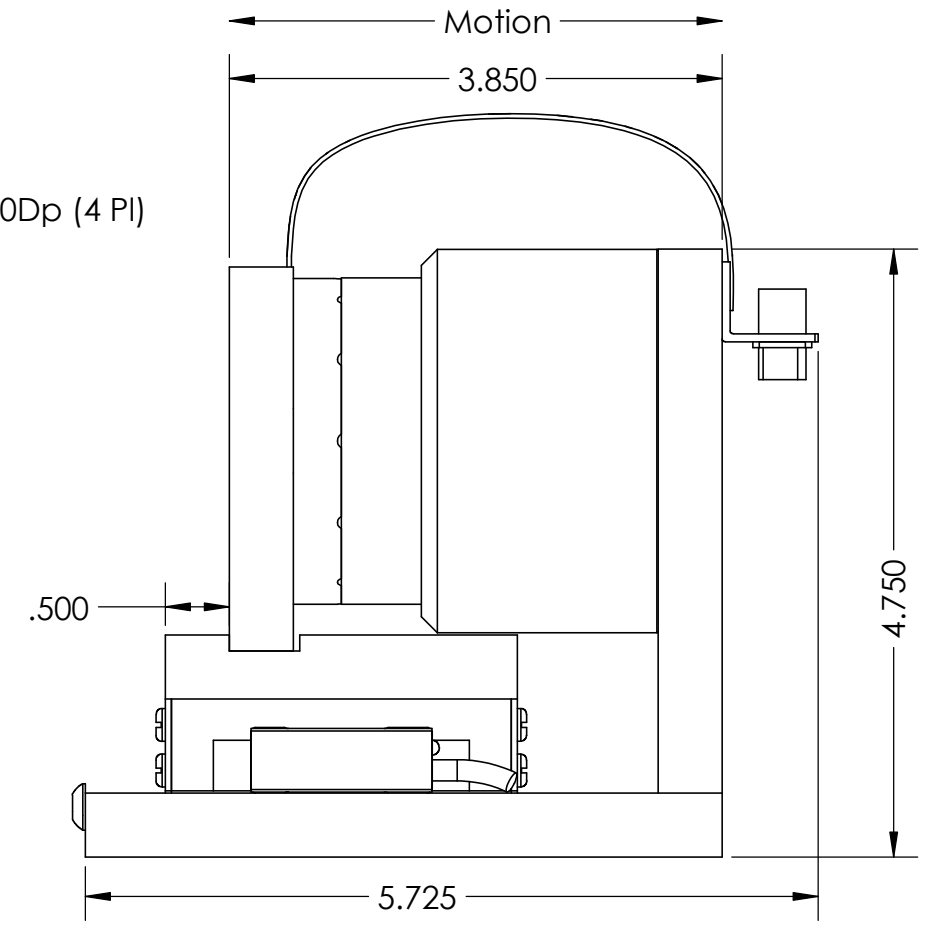
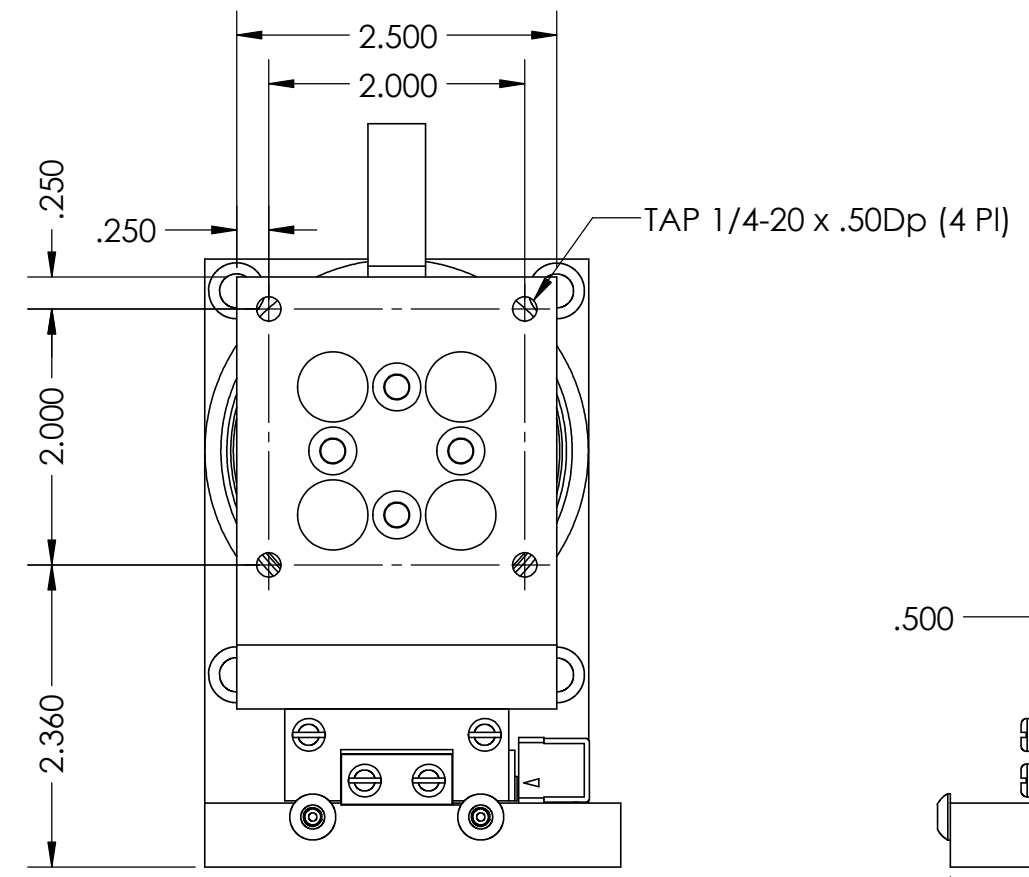
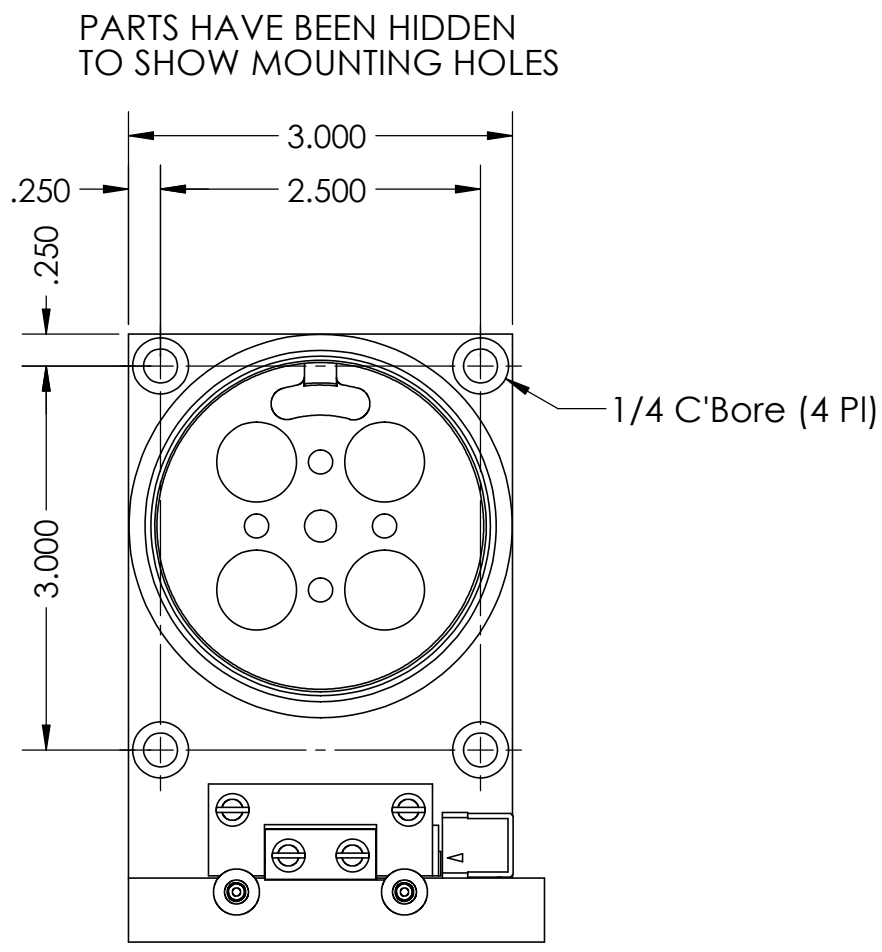
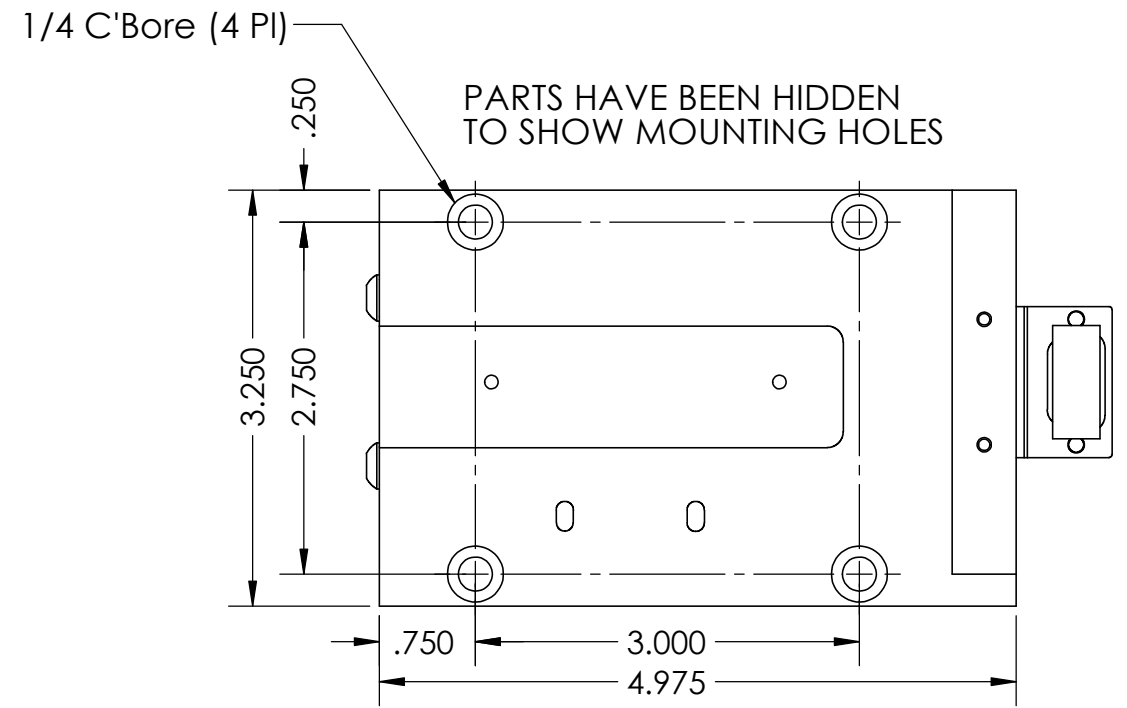


REVISION TABLE					
REV	ECN#	DESCRIPTION	REV BY	APPROVED	DATE
---	---	Original Drawing	OOG	MPW	9-20-17



1

2

3

4

5

A

A

Horizontal Configuration

Vertical Configuration

B

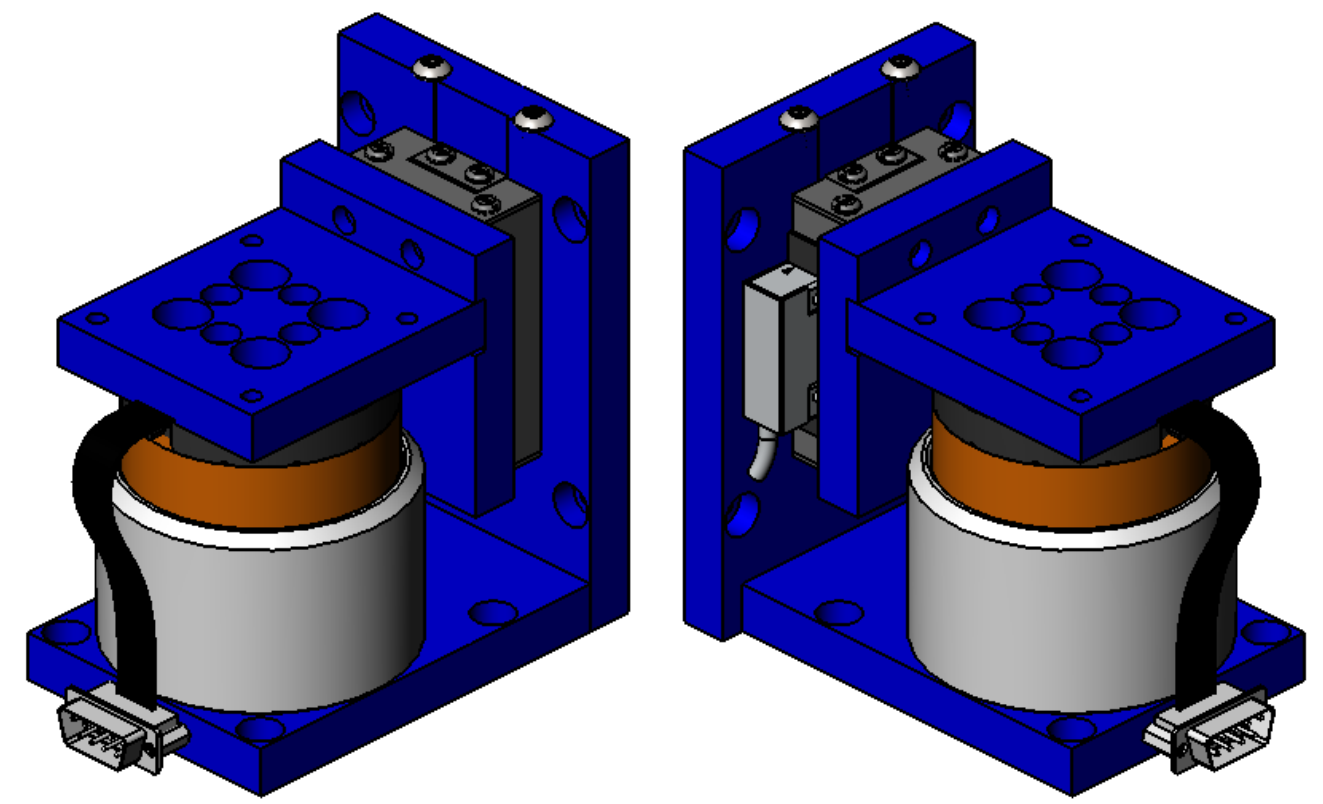
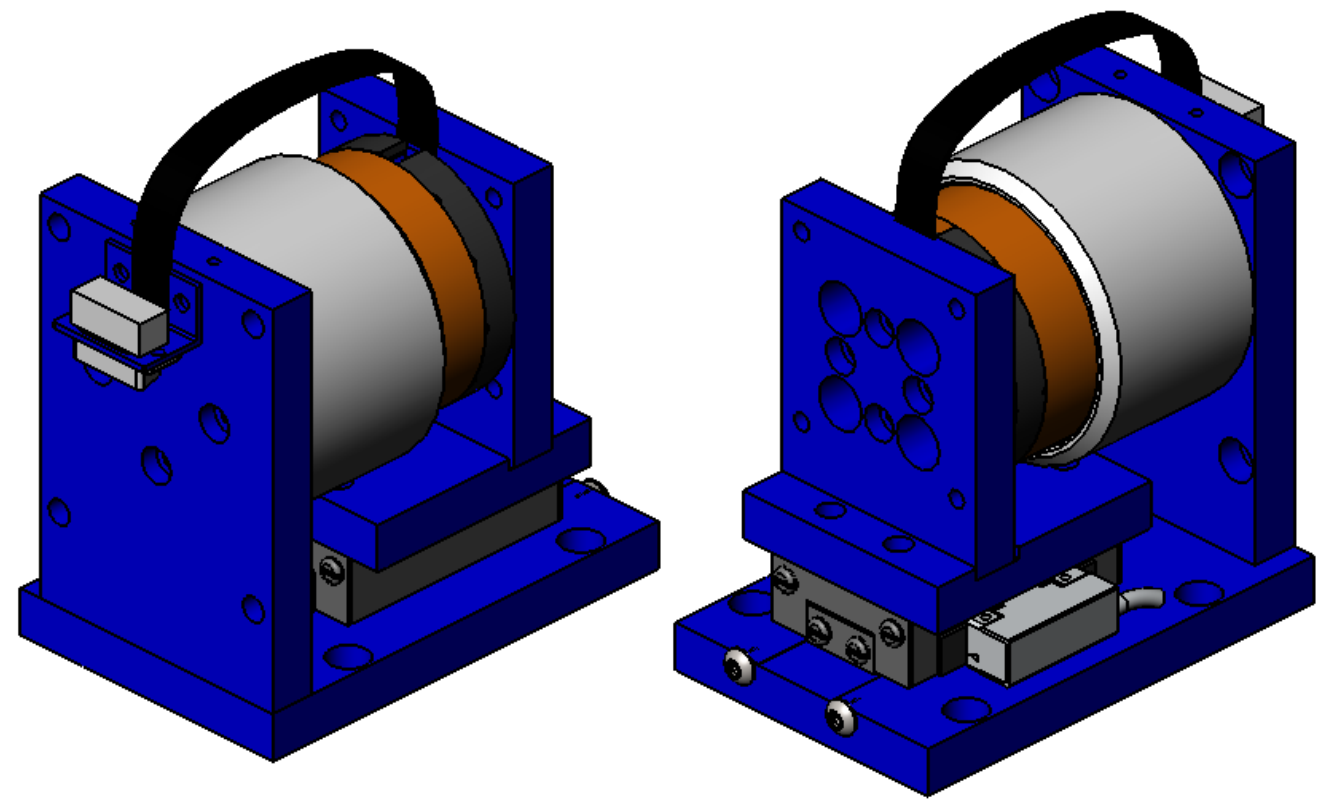
B

C

C

D

D



MOVING COIL NON-COMM ACTUATOR SPECIFICATIONS		
Motor P/N	NCC13-30-108-1H	
Stroke	1.25"	31.8 mm
Encoder Resolution	1 micron	
Bearing Type	Crossed Roller	
Moving Mass	1.50 lbs	418 grams
Total Mass	6.0 lbs	2.0 Kg
Resistance @ 20C	4.8 ohms	
Inductance @ 20C	4.1 mH	
Electrical Time Constant	0.9 msec	
Motor Constant	2.3 LBS/SQRT(Watt)	7.6 N/SQRT(Watt)
Force Constant	5.0 LBS/Amp	22.3 N/Amp
Back EMF	0.5 V/ips	22.3 V/m/sec
Continuous Force	10.8 LBS	48 N
Max Power @ 100% Duty	23 Watts	
Peak Force	32.4 LBS	144 N
Max Power @ 10% Duty	200 Watts	

